



Document Number	V02_180828
-----------------	------------

Product specification

LSUM 016R2C 0250F EA AG



Product specification

■ Specification

1. Primary specification

Part number	Capacitance (F)	Max. ESR (mΩ) _{DC}	Max. Current (A) ¹ Non-repeated (Calculated value)	Leakage Current (mA)
LSUM 016R2C 0250F EA AG	250	2	1,300	< 3

2. Power & Energy

Part number	Usable Specific Power, P _d (W/kg) ²	Impedance Match Specific Power, P _{max} (W/kg) ³	Energy Density (Wh/kg)	Max. Stored Energy (Wh)
LSUM 016R2C 0250F EA AG	4,000	8,400	2.3	9.1

3. Standard & Reliability

Rated Voltage	16.2 V		
Max. Voltage ⁴	17.1V		
Maximum series Voltage	750V		
Capacitance Tolerance	0% / +20%		
Operating temperature range	-40 ~ 65 °C		
Storage temperature range	-40 ~ 70 °C		
Max. continuous current ⁵	ΔT = 15 °C	90A	
	ΔT = 40 °C	150A	
Endurance Life (65°C)	1,500 Hours		
	Capacitance change	Within 20% of initially specified value	
	ESR change	Within 100% of initially specified value	
Projected Life Time (25°C)	10 Years at rated voltage		
	Capacitance change	Within 20% of initially specified value	
	ESR change	Within 100% of initially specified value	
Projected Cycle Life (25°C) ⁶	1,000,000 Cycles		
	Capacitance change	Within 20% of initially specified value	
	ESR change	Within 100% of initially specified value	
Shelf Life (25°C)	4 Years stored uncharged state		
Certifications	ROHS, REACH		

4. Monitoring

Part number	Temperature sensor	Temperature interface	Connector	Cell voltage monitoring	Balancing
LSUM 016R2C 0250F EA AG	NTC Thermistor	Analog	4 pin connector	Over Voltage Alarm (Optional)	Active or Passive

*Remarks

1) The stated maximum peak current should not be used in normal operation and is only provided as a reference value.

2) Usable specific power

$$P_d = \frac{0.12 \times V^2}{ESR \times mass}$$

3) Impedance match specific power

$$P_{max} = \frac{V^2}{4 \times ESR \times mass}$$

4) Non repeated, not to exceed 1sec.

5) Initial state value.

6) Actual cycle value can be subject to various application conditions.

Product specification

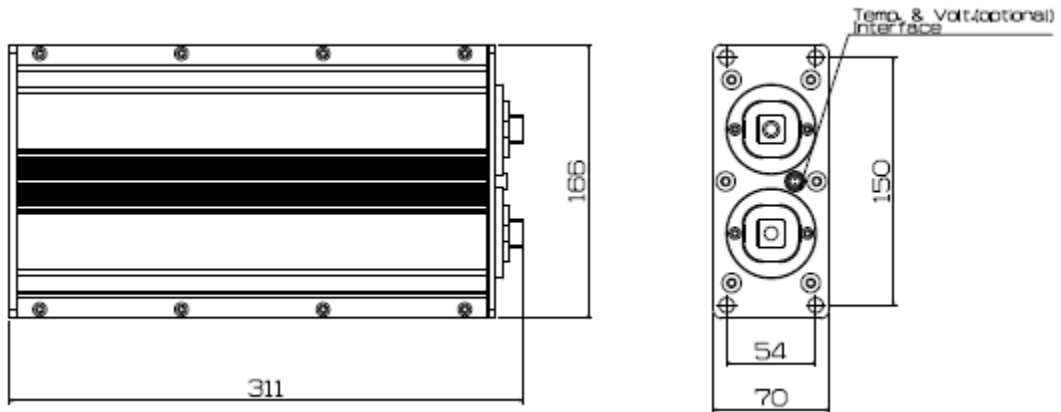
■ Safety & Physical Protection

Part number	Isolation voltage (DC)	Short circuit current(A) ⁷	Power Terminals	Recommended Torque - Terminal	Environmental Protection ⁸	Shock & Vibration Protection ⁸
LSUM 016R2C 0250F EA AG	2.5kV	8,100	M8 / M10	20 / 30 Nm	TBD	TBD

Dimension in mm (not to scale)

■ Geometric properties

Part number	Dimension (mm)			Max. Weight (kg)
	Length	Width	Height	
LSUM 016R2C 0250F EA AG	311 ± 2	166 ± 1	70 ± 1	3.9



*Remarks

7) Calculated value. Do not use as an operating current.

8) This value is for a test with limited conditions and may be different under actual conditions.